

Mobile Digital Video Recorder (MDVR-4)

4 Camera Inputs, 40MB-100MB Storage



Product Features

- ◆ Stand alone NON-PC embedded operating system (RTOS) provides maximum stability
- ◆ High Quality MPEG-4 video recording and playback at full frame rate (30 fps)
- ◆ Record up to 4 channels of high resolution video
- ◆ Record up to 4 channels of highly synchronized audio
- ◆ Built-in GPS allows for vehicle tracking and location recording in video field
- ◆ IPIX Integrated Remote Software provides 360° video in viewing & recording (with analog panoramic view cameras)
Note: IPIX license required
- ◆ Small, low profile assembly includes a quick release mount that eliminates the need for a "vault" box
- ◆ Optional WI-FI and Cellular Video Networking
- ◆ 9 "Alarm In" connections allow specific cameras to be put into record mode on receipt of an "Alarm In" signal
- ◆ USB port allows laptop connection to download & upload data
- ◆ Flash Card (CFC) can be used for software upgrades and uploading advertising clips to the Mobile DVR
- ◆ Low power consumption
- ◆ Works automatically when vehicle ignition is turned on
- ◆ Full line of cameras and accessories for many mobile applications

Video and Audio DVR Features and Capabilities

- 4 channels for video input, full-motion (30fps/camera) continuous video recording and display
- 4 channels for high-fidelity, digitally recorded, synchronized audio matched to 4 video channels
- Continuous recording while in the search mode
- MPEG-4 video compression for high quality, low storage recording and playback
- User-selectable settings for quality and audio record enable/disable for each video channel
- 12v power supply output for multiple devices such as cameras, sensors and other accessories
- Selectable idle frame rate with selectable event-triggered burst recording speeds up to 30fps/cam.
- Multiple alarm inputs with selectable pre-alarm and post-alarm recording
- Full event logging of every operation controlled by the MDVR
- 2 Video output channels for live video and recorded video viewing

Streaming Video Output for Advertising, Entertainment, and Information

- DVD-quality streaming audio/video channel with independent NTSC or PAL composite or VGA output
- Convenient Flash card, USB media updating and status file downloading
- Simultaneous and independent operation of DVR and streaming advertising

Accessory Modules for Supplemental Data and Driver Management

- Video Interface Module including Video text overlay, data capture, GPS location, speed and temperature
- Vehicle Motion Manager includes 3-axis inertia sensor to determine video-matched motion events
- Vehicle Management Software interprets video and data for driver and vehicle use assessment
- Video Event Search software allows intelligent searching of video based on event information

Remote Connection Capabilities

- Handheld Infra-Red controller with OSD for quick access to recorded video and settings menus
- USB connection for file transfer, PC-based file transfer and settings management
- PC-Based client software for playback viewing, management, and file transfer

TECHNICAL SPECIFICATIONS

MDVR-4 SPECIFICATIONS

SYSTEM CONFIGURATION:

OSLinux
 Operation InterfaceHand-held, IR controller with On-Screen Display (OSD) for all operations of the MDVR
 Storage60, 80, and 100 (2.5-in. mobile anti-vibration and shock resistance HDD support)
 Signal System.....NTSC/PAL
 Input Voltage12-volt DC or 24-volt DC (can range from 7v ~ 28v DC)

VIDEO:

Camera Inputup to 4 cameras
 Output.....2 Analog and 1 VGA
 Display.....4 Video Windows Screen
 Image Quality.....8 – Level Adjustable
 Fwd/Playback speed...x2, x4, x1/2, x1/4
 Stream StandardISO1449
 Record ResolutionCIF(352×288 pixels), 1/2D1 (704×288 pixels)
 Image Compression.....12.5K-112.5KB/s, 25K-150KB/s
 Max FPS30FPS, 15 fps/ch
 Display Res.....TV monitor 704×576 pixels, VGA output 720×576 pixels

AUDIO:

Audio Input4
 Audio Output1

ALARM:

Input.....Up to 9 sensor inputs
 Multi-modeAuto-reset after power-break, auto-alarm when missing signal input.

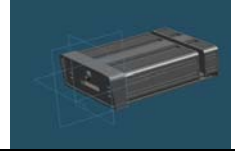
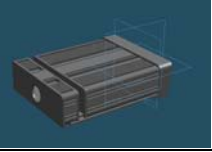
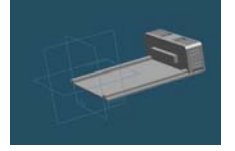
NETWORK INTERFACE:

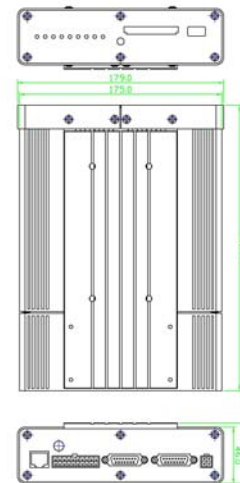
Serial InterfaceRS485, RS232
 Network interface.....RJ-45 10M / 100M Ethernet connector
 Network Transport Protocol TCP / IP

OTHERS:

External Notebook PC .HDD Bay --1 IDE HDD, FAT32 format,
 Storage mode3.5" HDD
 Time ClockBuilt-in clock, Perpetual calendar
 Data R/W mode.....FIFO
 Operating Temp.....0~50°C
 Humidity.....≤80%
 USB.....Connection to PC

MODELS			
MODEL NUMBER	CAMERA INPUTS	SCREEN SPLIT	HDD SPACE
BASE MODELS			
MDVR-4-40	4	1,4	40GB
MDVR-4-60	4	1,4	60GB
MDVR-4-80	4	1,4	80GB
MDVR-4-100	4	1,4	100GB
MDVR-4-20U	4	1,4	20GB (Ultra HD)
GPS MODELS			
MDVR-4-40-GPS	4	1,4	40GB
MDVR-4-60-GPS	4	1,4	60GB
MDVR-4-80-GPS	4	1,4	80GB
MDVR-4-100-GPS	4	1,4	100GB
MDVR-4-20U-GPS	4	1,4	20GB (Ultra HD)

	
Front View	Rear View
	Assembled Chassis Details Height 49 mm 1.9 in Width 179 mm 7 in Depth 245 mm 9.7 in Weight 1475 g 3.25 p Recording Module (Removable Component) Height 46 mm 1.8 in Width 179 mm 7.1 in Depth 176 mm 6.9 in Recording Module Removal Clearance 165 mm (6.5 in) Installation Clearance (except base) 100 mm (4 in)
Mounting Assembly / Recording Module Removed	



OPTIONAL ACCESSORIES	
MODEL	DESCRIPTION
MDVR-DCP	Optional dash mounted panel to display system status, additional USB port and monitor output.
MDVR-CDP-LCD	Optional dash mounted panel with LCD monitor to display cameras, playback recorded video, additional USB port, and display optional GPS Navigation Mapping.
MDVR-MCS-4	Extra DVR Docking Station for reading additional vehicles for Mobile DVR.
MDVR-MDS-GPS	Extra DVR Docking Station with GPS for reading additional vehicles for Mobile DVR.
MDVR-IDS-4	Indoor Docking port permits DVR Removable Cartridge to be displayed outside of the vehicle.
MDVR-WIFI	WIFI 802.11g Wireless module for wireless viewing of video over wireless LAN.
MDVR-TXT	Text Insertion Module allows data input into video files.
MDVR-DIM	Driver Information Module measures 3 angles of vehicle inertia. Alarms at extreme inertia change.
MDVR-LBOX	Lock Box
MDVR-HHC	Extra Remote Handheld Controller
MDVR-MM	Mirror Monitor